



BLUE TONGUE™ ALUMINIUM GRID AND PERIMETER/PELMET SYSTEMS

Inspiring Great Spaces™



CEILING SYSTEMS

A photograph of a modern office lounge. The ceiling features a modular grid system with recessed lighting. The room includes dark leather armchairs, a wooden reception desk, and a bookshelf. A large green plant is visible in the background.

SUSPENSION SYSTEMS CONTENT

Modular Ceiling Systems — Pages 4 – 5

One Way Ceiling Systems — Pages 6 – 7

Two Way Ceiling Systems — Page 8

Perimeters / Wall Angles and Accessories — Page 9

Pelmet Systems — Pages 10 – 11

BLUE TONGUE™ ALUMINIUM GRID AND PERIMETER/PELMET SYSTEMS

Armstrong Blue Tongue™ Aluminium Grid Systems

Extruded aluminium grid systems are the natural complement to Armstrong acoustic ceiling panels in A-Grade commercial applications.

Armstrong delivers more than 30 years of expertise in aluminium ceiling grid solutions to the Australian and New Zealand markets.

Armstrong offers a complete range of Modular, One Way and Two Way Systems, for both Mineral Fibre and Metal ceiling panels.

Features of the Armstrong “Blue Tongue” Systems

- Full and rapid demountability and re-use of components
- Complete range of interlocking accessories
- Choice of module sizes, including 1200x1200, 1350x1350 and 1500x1500
- Engineered and tested system
- Complete integration with Perimeter/Pelmet Systems

Technical Features

- Produced from proven 6063 T5 grade extruded aluminium
- Polyester Powdercoat
- Compliant to AS/NZS2785:2000 – Suspended Ceiling Code

Perimeter/Pelmet Solutions

To complete the ceiling, Armstrong provides a comprehensive range of perimeter solutions, including: wall angles, transitions trims pelmets.

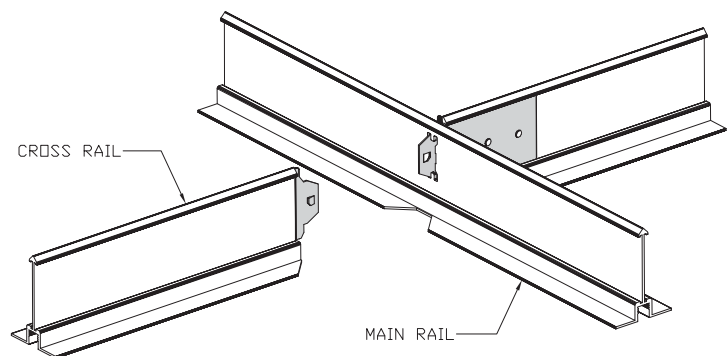
Custom Ceiling Solutions

In addition to a wide range of standard systems, the Armstrong Technical Services Group has the capacity of developing custom solutions to suit most commercial ceiling requirements.

For Seismic Design support please contact your local Armstrong office.



Clean mitred cross runner intersection.

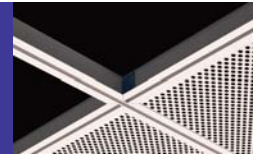


Armstrong “Blue Tongue” positive lock connection.

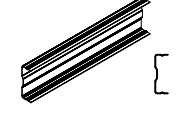
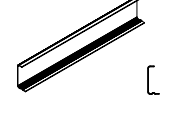
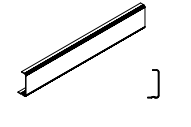
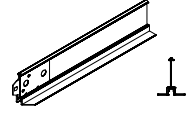
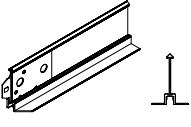
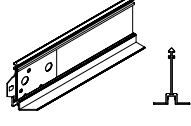
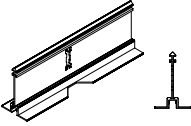
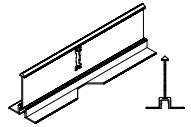
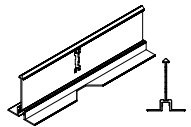


3-sided Pelmet with Air Diffuser Face Plate

MODULAR CEILING SYSTEMS

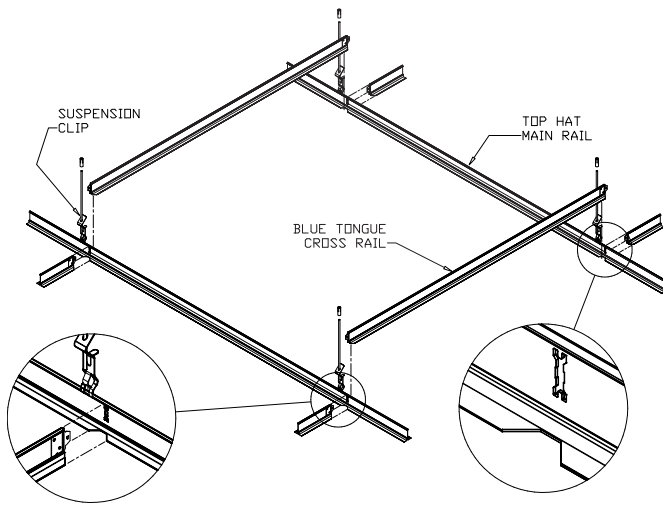
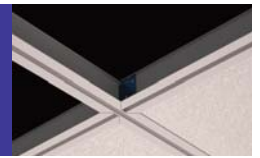


Component Specifications

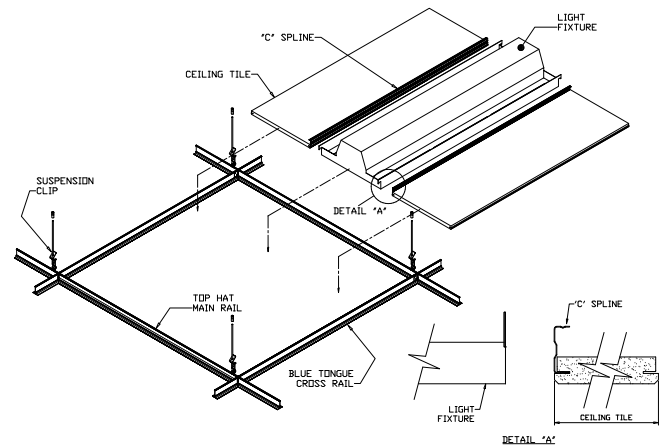


| Item | Design | Dimensions (mm) | | | |
|------------|-----------------------------------|-----------------|--------|--------|-------|
| | | Slot Spacing | Length | Height | Width |
| ALMRTH3600 | Top Hat Main Bar | 1200 | 3600 | 45 | 32 |
| ALMRTH4050 | Top Hat Main Bar | 1350 | 4050 | 45 | 32 |
| ALMRTH4500 | Top Hat Main Bar | 1500 | 4500 | 50 | 32 |
| ALCRTH1500 | Top Hat Cross Runner | – | 1500 | 50 | 32 |
| ALCRTH1350 | Top Hat Cross Runner | – | 1350 | 45 | 32 |
| ALCRTH1200 | Top Hat Cross Runner | – | 1200 | 45 | 32 |
| ALSPLINE1A | C-Spline (For Mineral Fibre only) | – | 1187 | 25 | 10 |
| ALSPLINE2C | C-Spline (For Mineral Fibre only) | – | 1187 | 25 | 10 |
| ALSPLINE5A | C-Spline (For Mineral Fibre only) | – | 1187 | 25 | 10 |

MODULAR CEILING SYSTEMS

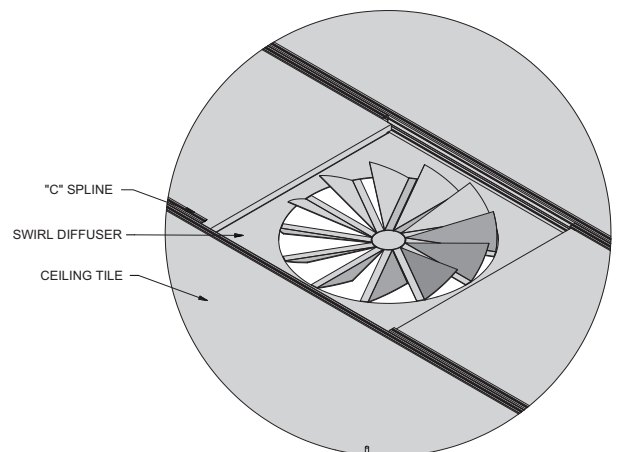
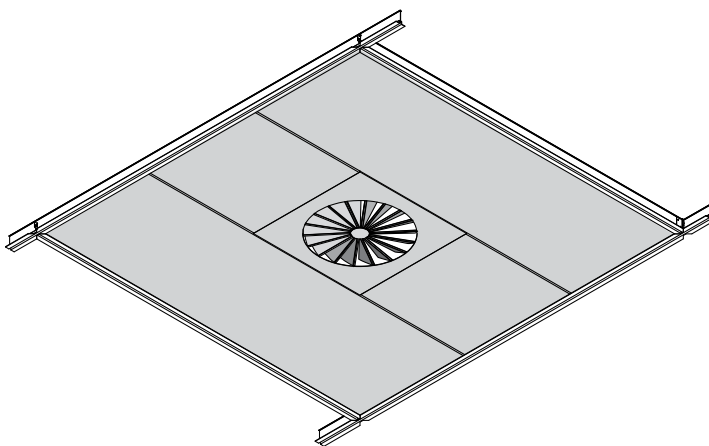


The High tensile "Blue Tongue" staked on clip – provides positive lock connection with ease of installation and demountability.



Completed grid system with panels / lights to be installed.

Note: When light fixtures are rotated 90 degrees, an additional suspension hanger is required at the mid point of each cross runner in the module.
C-Splines are used only with mineral fibre panels.



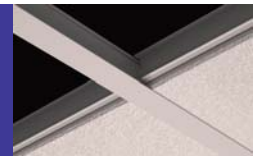
Simple integration of light fixtures and swirl diffusers

KEY FEATURES

- Simplicity of square module, enabling panels and light fixtures to be rotated by 90°
- Robust extruded aluminium "top hat" profile for both primary and secondary sections
- Clean, flush fitting, mitred grid intersections
- Full and rapid demountability and re-use of components
- Complete range of interlocking accessories
- Choice of module size, including 1200x1200, 1350x1350 and 1500x1500
- Custom sizes available
- Simple panel removal and plenum access
- Mechanical services integration, including support tray options. Contact your Armstrong office for further details.

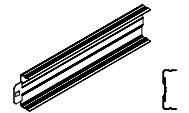
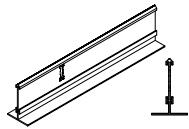
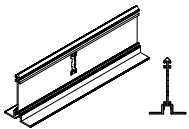
Additional information and detailed drawings on the Blue Tongue Modular System can be found at www.armstrongceilings.com.au

ONE WAY CEILING SYSTEMS



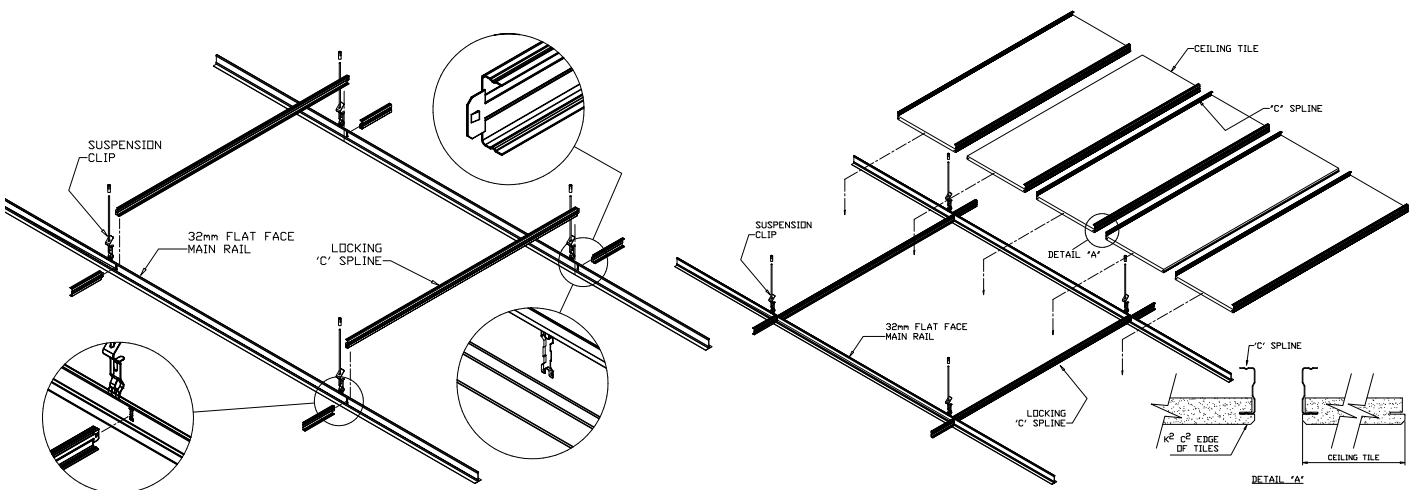
One Way Hook On System for Mineral Fibre Panels

Component Specifications



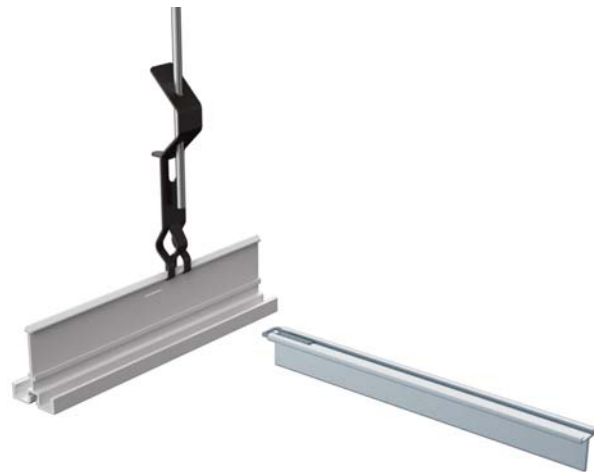
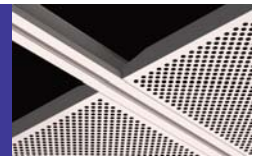
| Item | Design | Dimensions (mm) | | | |
|------------|----------------------------|-----------------|--------|--------|------------|
| | | Routs | Length | Height | Face Width |
| ALOWHTH100 | Top Hat Main Bar – 1200 | 100cc. | 3600 | 50 | 32 |
| ALOWHTH150 | Top Hat Main Bar – 1350 | 150cc. | 3600 | 50 | 32 |
| ALOWHTH100 | Top Hat Main Bar – 1500 | 100cc. | 3600 | 50 | 32 |
| ALOWFF100 | Flat Facet Main Bar – 1200 | 100cc. | 3600 | 50 | 32 |
| ALOWFF150 | Flat Facet Main Bar – 1350 | 150cc. | 3600 | 50 | 32 |
| ALOWFF100 | Flat Facet Main Bar – 1500 | 100cc. | 3600 | 50 | 32 |
| ALSPLINE4B | Locking “C” Splines – 1200 | – | 1200 | 35 | 11.5 |
| ALSPLINE5B | Locking “C” Splines – 1350 | – | 1350 | 35 | 11.5 |
| ALSPLINE5F | Locking “C” Splines – 1500 | – | 1500 | 35 | 11.5 |
| ALSPLINE1A | “C” Splines – 1200 | – | 1200 | 25 | 11.5 |
| ALSPLINE2C | “C” Splines – 1350 | – | 1350 | 25 | 11.5 |
| ALSPLINE5A | “C” Splines – 1500 | – | 1500 | 25 | 11.5 |

Note: Details on Perimeters, Wall Angles and Accessories – refer page 9



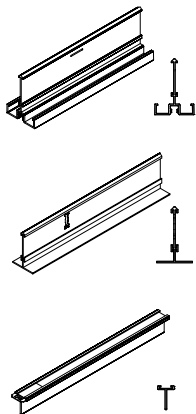
Additional information and detailed drawings on the Blue Tongue One Way System can be found at www.armstrongceilings.com.au

ONE WAY CEILING SYSTEMS



One Way Hook On System for MetalWorks Panels

Component Specifications

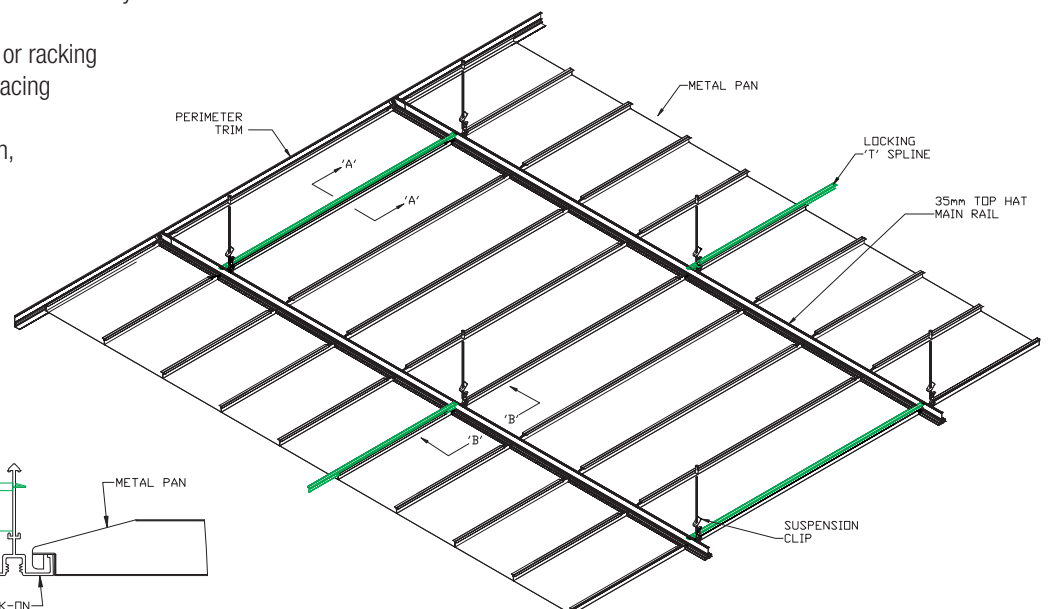
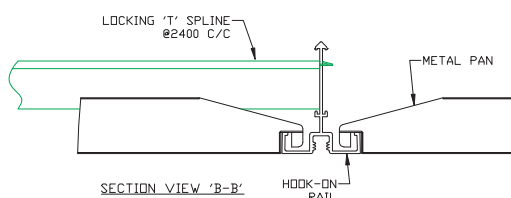
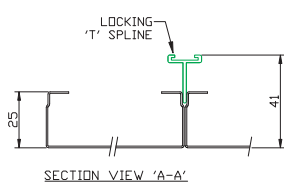


| Item | Design | Dimensions (mm) | | | |
|-----------------|--------------------------|-----------------|--------|--------|-------|
| | | Slot Spacing | Length | Height | Width |
| ALOWHTHMR | Top Hat Main Bar | 300 | 3600 | 50 | 35 |
| ALOWFFMR | Flat Face Tee – Main Bar | 300 | 3600 | 50 | 35 |
| ALSPLINEOWH1200 | Locking Spline – 1200 | – | 1200 | 21 | 15 |
| ALSPLINEOWH1350 | Locking Spline – 1350 | – | 1350 | 21 | 15 |
| ALSPLINEOWH1500 | Locking Spline – 1500 | – | 1500 | 21 | 15 |

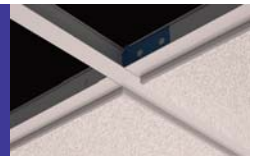
Note: Details on Perimeters, Wall Angles and Accessories – refer page 9

KEY FEATURES

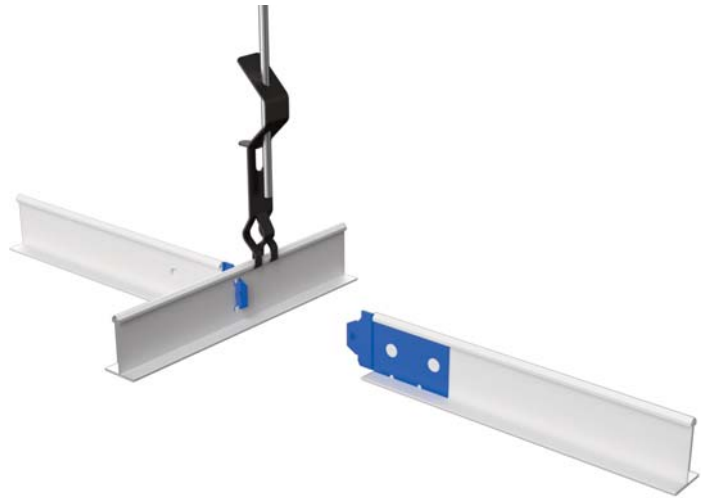
- Up-market visual
- Minimum Exposed Grid
- Simple removal of panels / Full accessibility
- Locking Splines ensures:
 1. Rigidity – minimising creep or racking
 2. Reduces requirement for bracing
 3. Precise panel alignment
- Mechanical services integration, including support tray options



TWO WAY CEILING SYSTEMS

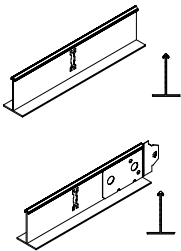


NSW Police Ctr – Parramatta NSW



Two Way Exposed

Component Specifications



| Item | Design | Dimensions (mm) | | | |
|--------------|--|-----------------|--------|--------|-------|
| | | Slot Spacing | Length | Height | Width |
| BP4640037S37 | Flat Faced 24mm Main Bar (Connection via M/R Joiner, item BP9338) | 300 | 3600 | 38 | 24 |
| BP4630037S38 | Flat Faced 24mm Cross Runner | 600 | 1200 | 38 | 24 |
| BP4620037S30 | Flat Faced 24mm Cross Runner Blue Tongue Connection – flush with Main Bar | – | 600 | 38 | 24 |

Notes:

Other Flat Faced Tee profiles are available for custom modules
Details on Perimeters, Wall Angles and Accessories – refer page 9

System Drawing and Installation

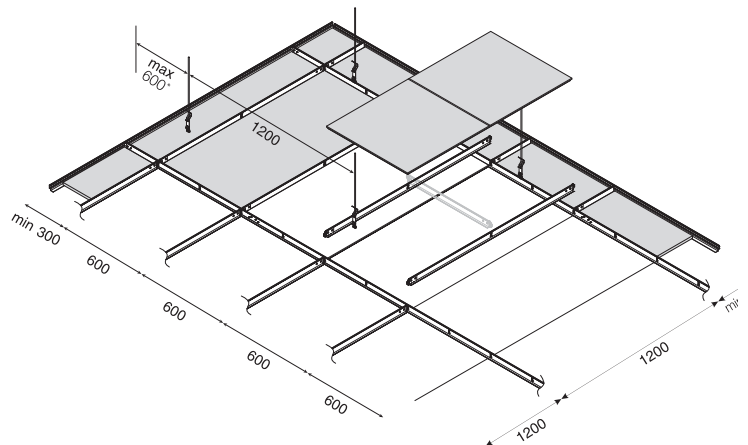
(Typical modules are 1200 x 600mm and 600 x 600mm).



Standard lay-in installation of Blue Tongue Aluminium 24mm Grid with Square or Tegular edge panels.

KEY FEATURES

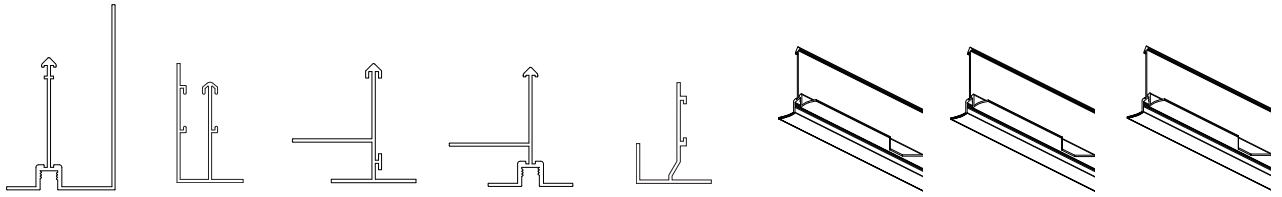
- Practical and simple
- Full accessibility to plenum
- Simple removal of panels
- Best ceiling longevity with lowest maintenance costs



Additional information and detailed drawings on the Blue Tongue Two Way System can be found at www.armstrongceilings.com.au

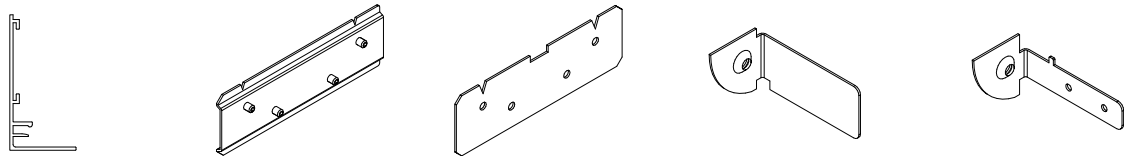
PERIMETERS / WALL ANGLES AND ACCESSORIES

Perimeter / Transition Trims



| Item: | ALPT4500LL | ALPTQLFF45 | ALPTFF | ALPT3600PB | ALBULK3600SW | ALMRTH3600OS | ALMRTH4050OS | ALMRTH4500OS |
|-------------|--------------------------|------------|---|---------------------------------------|----------------|------------------------------------|------------------------------------|------------------------------------|
| Description | Top Hat with 70mm Upturn | Flat Face | Flat Face with Horizontal Leg for 13 PB | Top Hat with Horizontal Leg for 13 PB | Bulk Head Trim | Top Hat Punched one side @ 1200cc. | Top Hat Punched one side @ 1350cc. | Top Hat Punched one side @ 1500cc. |
| Height (mm) | 70 | 45 | 45 | 45 | 38 | 45 | 45 | 50 |
| Length (mm) | 4500 | 3600 | 3600 | 3600 | 3600 | 3600 | 4050 | 4500 |
| Width (mm) | 41 | 24 | 32 | 32 | 28 | 32 | 32 | 32 |

Perimeter Trims / Accessories for One Way MetalWorks Hook On System



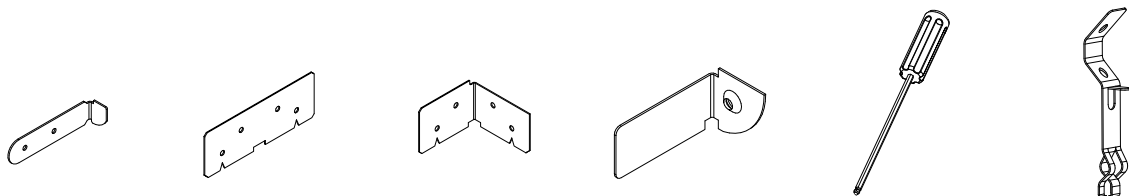
| Item: | ALPTONEWAYS | ARM-036 | ARM-035 | ARM-034 | ARM-033 |
|---------------------------|-------------------------|--|-------------------------------------|---|--|
| Description / Application | Perimeter Trim | Perimeter Trim Joiner Grub screw fastening | Main Runner Joiner To suit ALOWTHMR | Roll In Clip Connects Main Runner to Perimeter Trim | Roll In Clip Connects Locking Spline to Perimeter Trim |
| Dimensions | 51(h) x 25 (w) x 3600mm | | | | |

Perimeter Trims: Wall Angles



| Item: | AL009RCPSW | AL008RCPSW |
|-------------|--------------------------------------|----------------------------------|
| Description | Shadow line Suits roll in clip ALRIC | Std "L" Suits roll in clip ALRIC |
| Height (mm) | 29 | 20 |
| Width (mm) | 29 | 20 |
| Length (mm) | 3600mm | 3600mm |

Accessories for Modular, One* and Two Way Systems



| Item No. | ALRIC | ALMRJL* | ALMRJL90 | ALRICL | GSD | ALSCLH |
|-------------------------------|---|---|--|---|--------------------------------------|--|
| Description | Roll In Clip Small | Main Bar Joiner | 90 Degree Bracket | Roll in Clip Large | Grub screw-driver | Suspension Clips |
| Application of Accessory Item | Connects all sections with all wall angles and Perimeter Trims / Pelmet | Connects all Main Bars: 45 and 50mm sections *M/R Joiner for Two Way System is BP9338 | Used with all Main Bars 45 and 50mm sections | For connecting Main or Cross Runners to Perimeter Trims | For use with Grub screw Roll in Clip | For use on all Main Bars and Perimeter Trims |

* See table above for One Way Hook On for MetalWorks.



3-Sided Pelmet with slotted Air Diffuser Face Plate – Modular Grid and Ultima panel — Woolworths HQ, Sydney

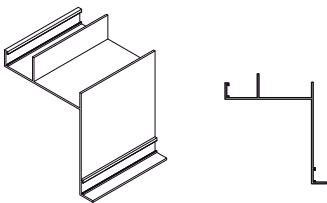
Transition in style

Regain aesthetic control of the perimeter with an Armstrong Pelmet System. The transition from pelmet to either plasterboard margin or acoustic ceiling is now simple. Armstrong Pelmet Systems are a pre-engineered solution, integrating curtain pelmets, air distribution and ceiling elevation changes. Field fabrication and on-site decisions become a thing of the past. Armstrong Pelmet Systems directly integrate with the ceiling grid via a positive locking connection clip. Concealed splice plates enable mechanical lock connections between adjacent pelmet sections.

Three easy Profiles

There are three basic aluminum extrusion profiles that provide a precise, crisp architectural detail.

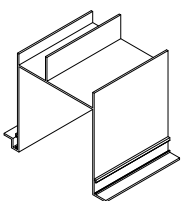
1



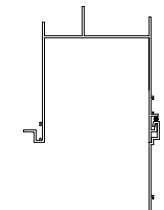
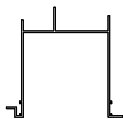
2-Sided Pelmet with transition to Acoustical/Drywall Grid

Single piece aluminium extrusion that forms a simple 2 sided pelmet. Transition to either acoustical grid or set plaster margin.

2



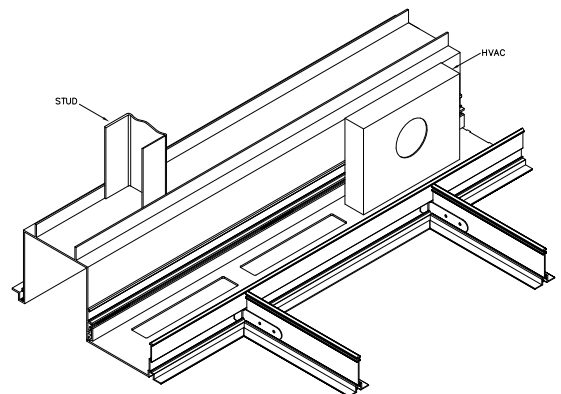
3-Sided Pelmet with transition to Acoustical/Drywall Grid



Pelmet with Extension

Pre-engineered aluminium 3 sided pelmets can be produced from one or two piece sections enabling flexibility in size of pelmet. Extension components allow for additional design flexibility and ceiling elevation changes. Transition to either acoustical grid or set plaster margin.

3



3-Sided Perimeter Pelmet with Diffuser Face Plate and transition to "Blue Tongue" Grid

Pelmets can be designed for full integration with air distribution at the perimeter. Diffuser face plate is pre-slotted according to air supply specifications. Transition to either acoustical grid or set plaster margin.

PELMET SYSTEMS



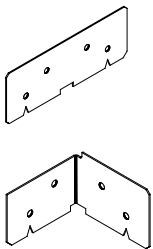
3-Sided Pelmet with Air Diffuser Face Plate



Two Piece Pelmet with Margin

Accessories for Pelmet Sections

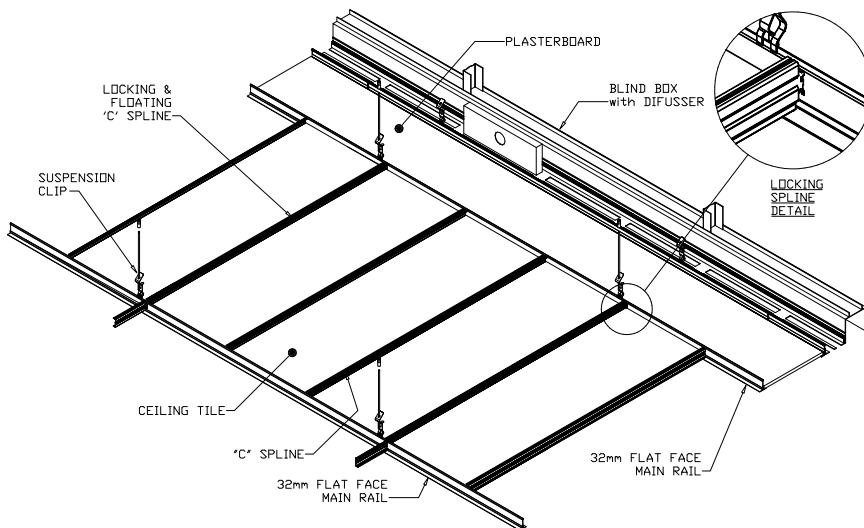
Component Specifications



| Item | Design |
|----------|-----------------------------|
| ALMRJS | Joiner for Pelmet |
| ALMRJS90 | 90 Degree Joiner for Pelmet |



Single Piece Pelmet



One Way System with Composite Pelmet

Additional information and detailed drawings on the Perimeter/Pelmet Systems can be found at www.armstrongceilings.com.au

Armstrong, the Global Leader in Acoustic Ceilings

NSW

Armstrong World Industries Pty. Ltd.
99 Derby Street, Silverwater NSW 2128
Telephone (02) 9748 1588 | Facsimile (02) 9748 8449

VIC/TAS

Armstrong World Industries Pty. Ltd.
29-39 Mills Road, Braeside VIC 3195
Telephone (03) 9580 9633 | Facsimile (03) 9587 5139

QLD/NT

Armstrong World Industries Pty. Ltd.
6 Barrinia Street, Slacks Creek QLD 4127
Telephone (07) 3809 5565 | Facsimile (07) 3809 5507

SA

Total Building Systems Pty. Ltd.
160 Grand Junction Road, Blair Athol SA 5084
Telephone (08) 7325 7555 | Facsimile (08) 7325 7566

WA

Ceiling Manufacturers of Australia Pty. Ltd.
5 Irvine Street, Bayswater WA 6053
Telephone (08) 9271 0777 | Facsimile (08) 9272 2801

New Zealand

Forman Building Systems Ltd.
PO Box 12349, Penrose, Auckland
Telephone 64-9-276 4000 | Facsimile 64-9-276 414

www.armstrongceilings.com.au

For Seismic
Design support
please contact
your local
Armstrong
office.



SCAN* THIS CODE to learn
more about our Suspension
Systems

*Download a Free QR code
reader app available from Apple
store

Printed on Zanders Mega Recycled paper
©2015 Armstrong World Industries Pty Ltd.
AWP0315

Inspiring Great Spaces™

Armstrong®

CEILING SYSTEMS